

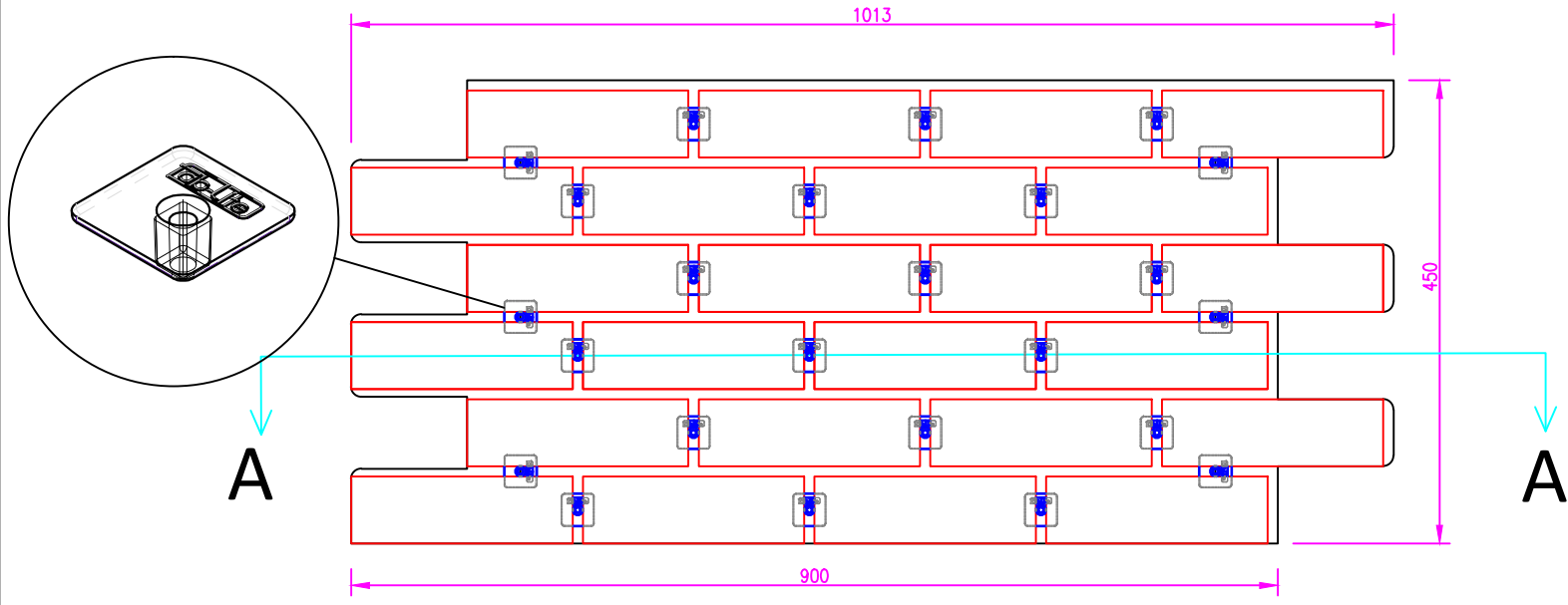
DISCLAIMER. FAB-CLADDING LIMITED ACCEPTS NO LIABILITY WITH RESPECT TO DRAWING ACCURACY OR QUANTITIES SHOWN. ALL DRAWINGS SHOULD BE APPROVED BY THE PROJECT PROFESSIONALS BEFORE PLACING ANY ORDER. CONTENTS OF THIS DRAWING REMAINS THE PROPERTY OF FAB-CLADDING LIMITED AND NO REPRODUCTION WITHOUT WRITTEN PERMISSION IS ALLOWED.

NOTES
1. DO NOT SCALE FROM THIS DRAWING

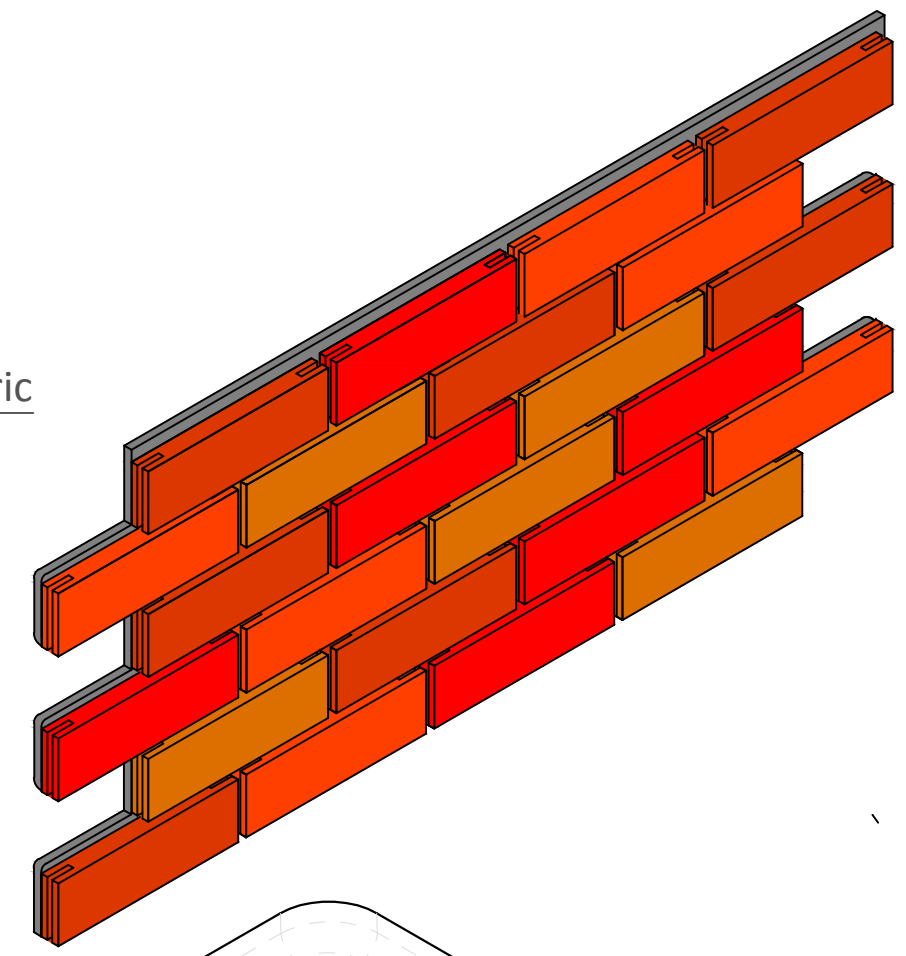
NOTE

APPROVED
SIGNED:
DATED:

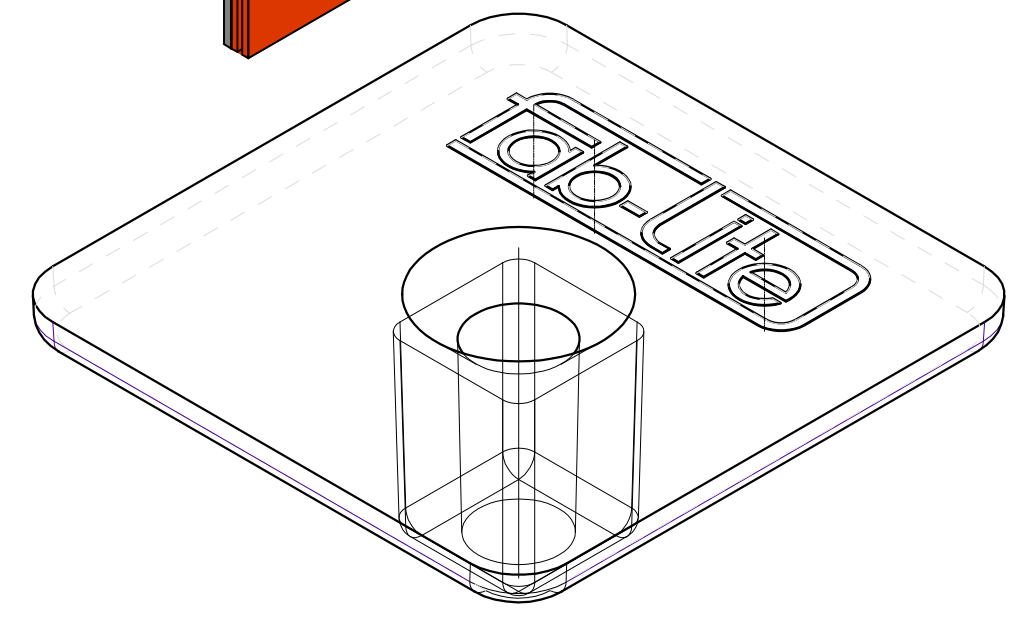
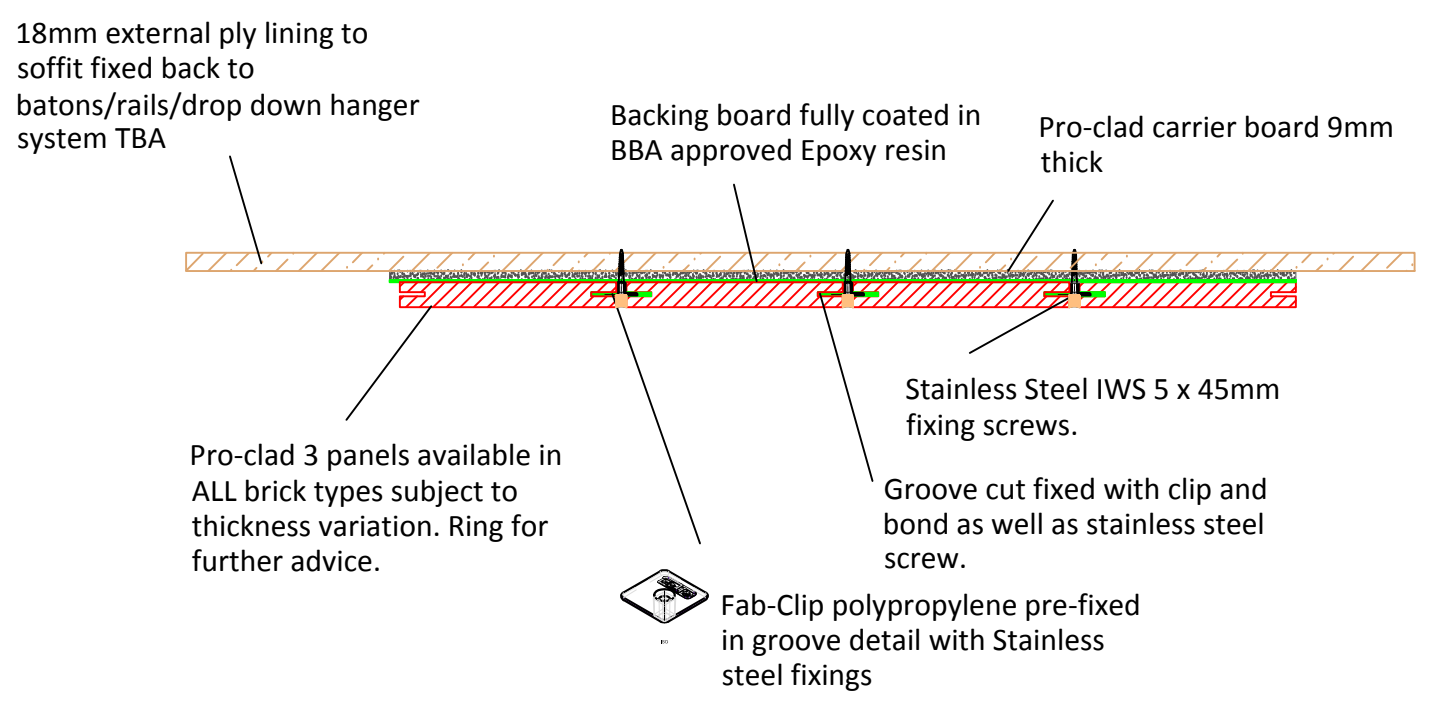
Front Elevation



Isometric View



Section A-A used as soffit cladding panel



Please note: Pro-clad 3 system is Patent pending GB1718649.5

REV	REV DATE	PURPOSE OF REVISION

fab-Cladding
LIMITED

www.fab-cladding.co.uk

Client: ...

Project: ...

Drawing Title: **Pro-clad 3 Poly Clip detail**

Status: **FOR APPROVAL**

Scale	As Noted at A3	DO NOT SCALE
Date	12.07.17	
Dwg NO	PC3-HRG-003	Rev -

This drawing is not to be used in whole or part other than for the intended purpose and project as defined on this drawing.