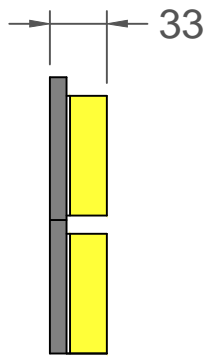


DISCLAIMER. FAB-CLADDING LIMITED ACCEPT NO LIABILITY WITH RESPECT TO DRAWING ACCURACY OR QUANTITIES SHOWN. ALL DRAWINGS SHOULD BE APPROVED BY THE PROJECT PROFESSIONALS BEFORE PLACING ANY ORDER. CONTENTS OF THIS DRAWING REMAINS THE PROPERTY OF FAB-CLADDING LIMITED AND NO REPRODUCTION WITHOUT WRITTEN PERMISSION IS ALLOWED.

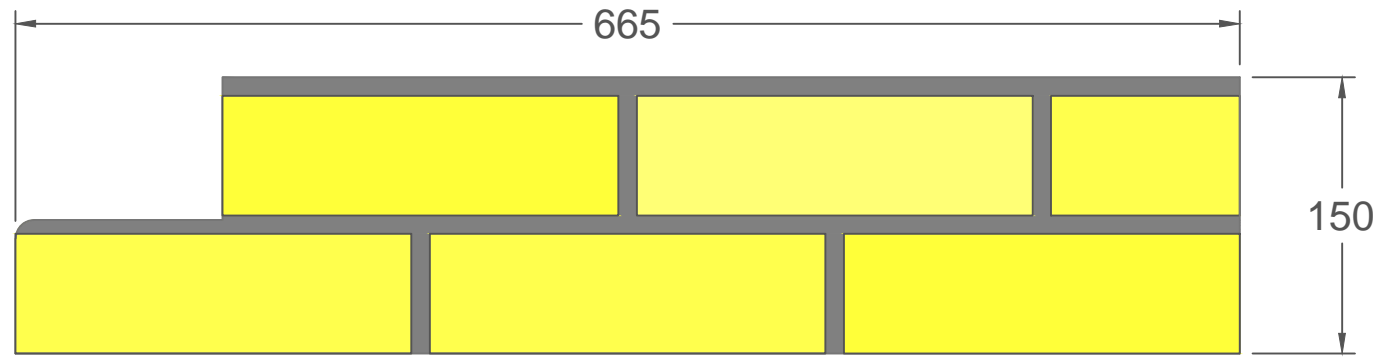
NOTES
1. DO NOT SCALE FROM THIS DRAWING

NOTE

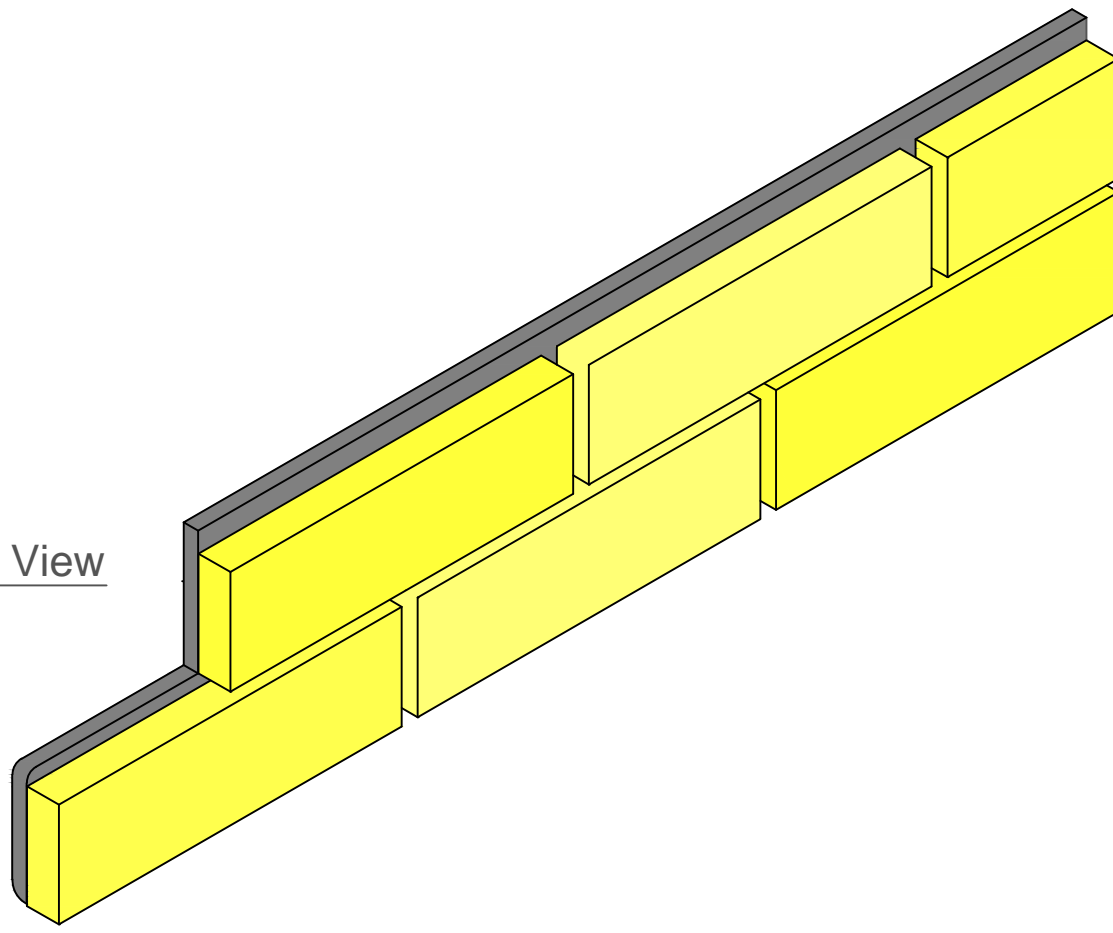
Plan view



Front Elevation



Isometric View



PC2-MJ-665-150 LEFT HAND

| REV | REV DATE | PURPOSE OF REVISION |
|-----|----------|---------------------|
| | 28-03-16 | |



www.fab-cladding.co.uk

Client
Pro-Clad 2

Project
Standard Library

Drawing Title
Pro-clad 2 panels.
PC2-MJ-665-150

Status
FOR APPROVAL

Scale
As Noted at A1 DO NOT SCALE

Date
28-03-16

Dwg NO
PC2-FP1 Rev

This drawing is not to be used in whole or part other than for the intended purpose and project as defined on this drawing.