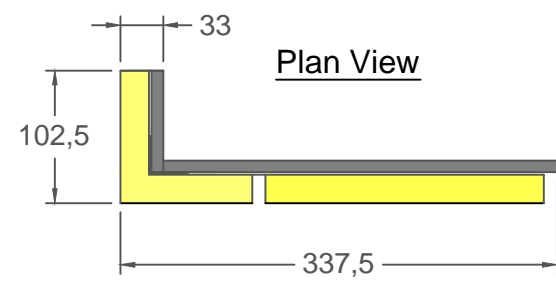
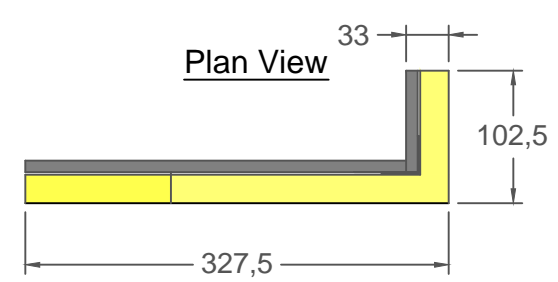


DISCLAIMER. FAB-CLADDING LIMITED ACCEPT NO LIABILITY WITH RESPECT TO DRAWING ACCURACY OR QUANTITIES SHOWN. ALL DRAWINGS SHOULD BE APPROVED BY THE PROJECT PROFESSIONALS BEFORE PLACING ANY ORDER. CONTENTS OF THIS DRAWING REMAINS THE PROPERTY OF FAB-CLADDING LIMITED AND NO REPRODUCTION WITHOUT WRITTEN PERMISSION IS ALLOWED.

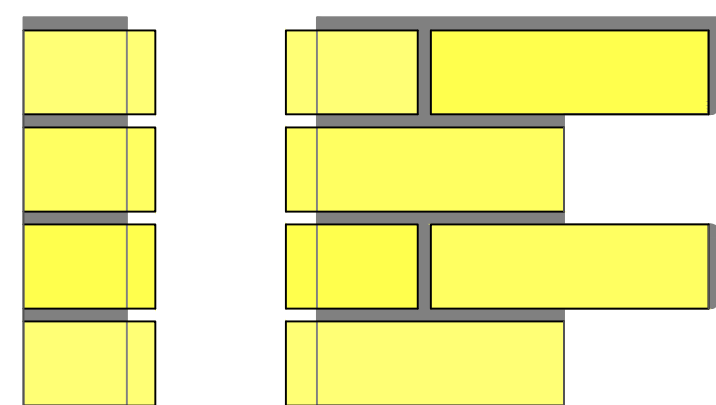
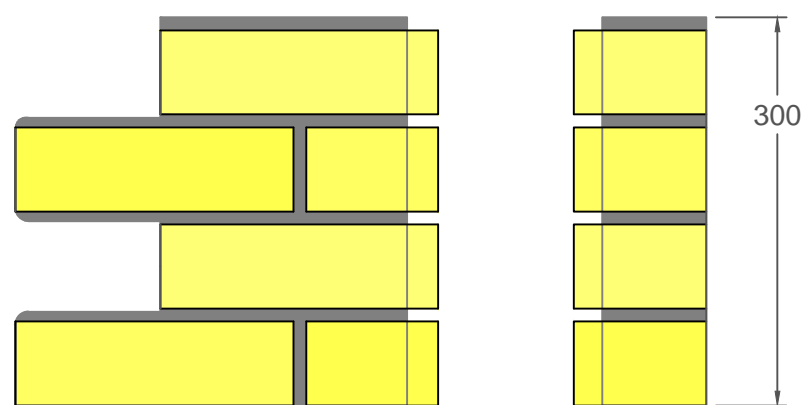
Left and Right hand reveal units 102.327/337.450



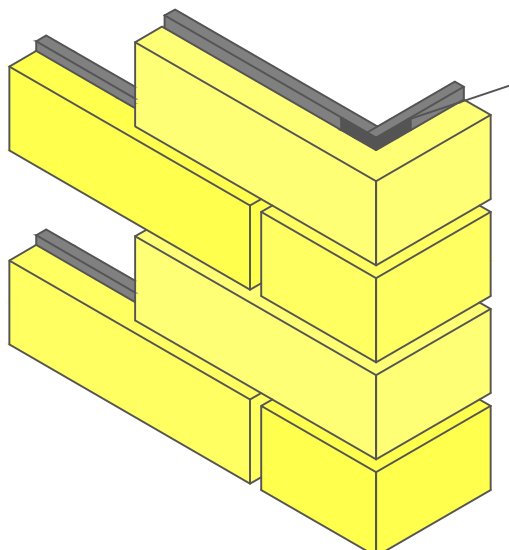
Front Elevation

Reveal Elevations

Front Elevation

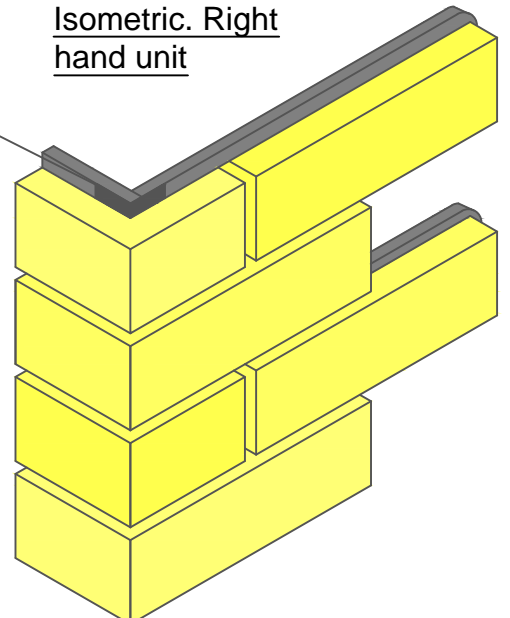


Isometric. Left hand unit



30 x 30 x 1mm steel angle embedded within epoxy

Isometric. Right hand unit



NOTES

1. DO NOT SCALE FROM THIS DRAWING

NOTE

REV	REV DATE	PURPOSE OF REVISION
	28-03-16	



www.fab-cladding.co.uk

Client: Pro-Clad 2

Project: Standard Library

Drawing Title: Pro-clad 2 panels.
PC2-REV-215.327.300

Status: FOR APPROVAL

Scale: As Noted at A1 | DO NOT SCALE

Date: 28-03-16

Dwg NO: PC2-FP1 | Rev

This drawing is not to be used in whole or part other than for the intended purpose and project as defined on this drawing.