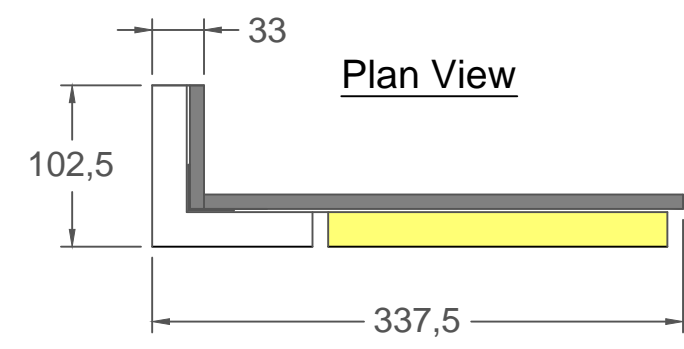
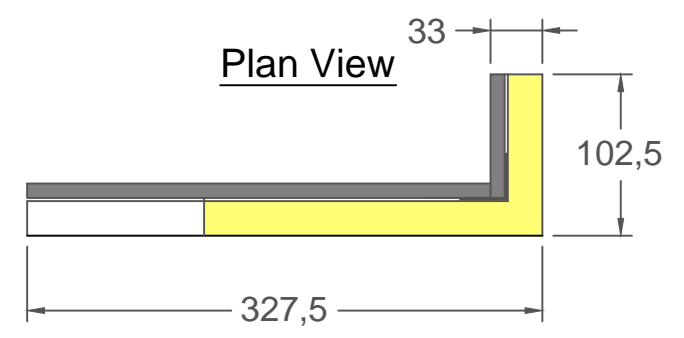


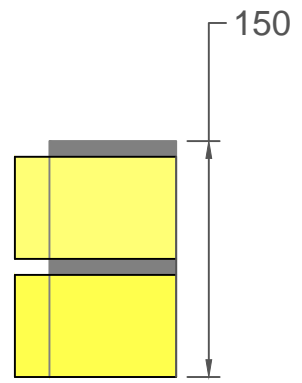
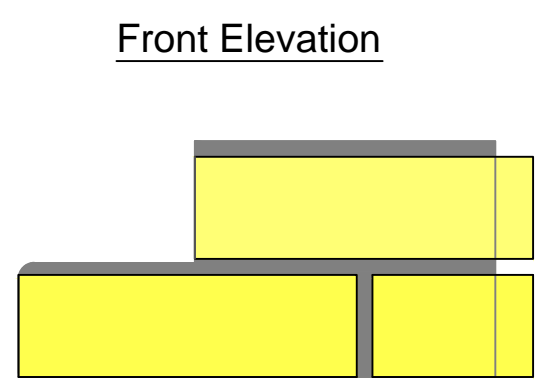
DISCLAIMER. FAB-CLADDING LIMITED ACCEPT NO LIABILITY WITH RESPECT TO DRAWING ACCURACY OR QUANTITIES SHOWN. ALL DRAWINGS SHOULD BE APPROVED BY THE PROJECT PROFESSIONALS BEFORE PLACING ANY ORDER. CONTENTS OF THIS DRAWING REMAINS THE PROPERTY OF FAB-CLADDING LIMITED AND NO REPRODUCTION WITHOUT WRITTEN PERMISSION IS ALLOWED.

NOTES
1. DO NOT SCALE FROM THIS DRAWING

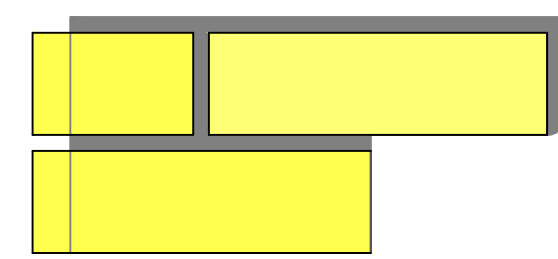
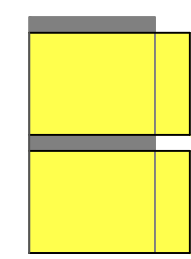
Left and Right hand reveal units 102.327/337.450



NOTE

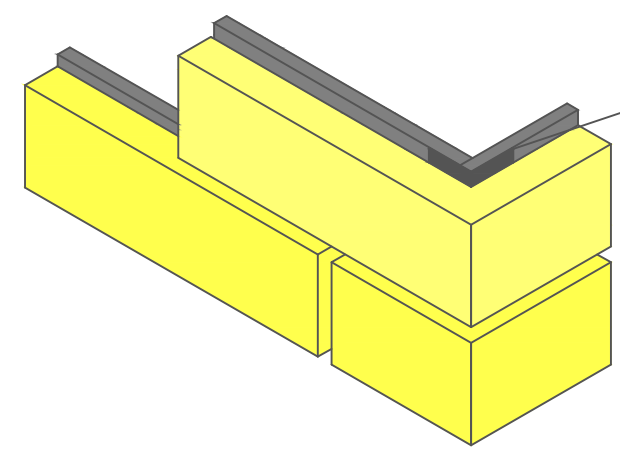


Reveal Elevations



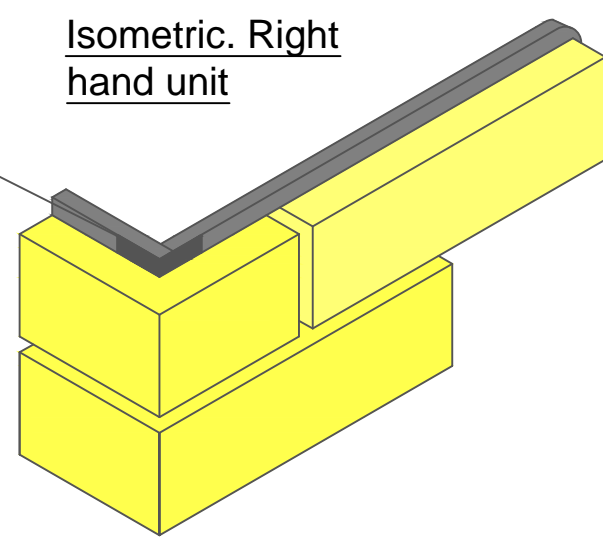
Front Elevation

Isometric. Left hand unit



30 x 30 x 1mm steel angle embedded within epoxy

Isometric. Right hand unit



REV	REV DATE	PURPOSE OF REVISION
	28-03-16	



www.fab-cladding.co.uk

Client: Pro-Clad 2

Project: Standard Library

Drawing Title: Pro-clad 2 panels. PC2-REV-215.327.150

Status: FOR APPROVAL

Scale: As Noted at A1 DO NOT SCALE

Date: 28-03-16

Dwg NO: PC2-FP1 Rev

This drawing is not to be used in whole or part other than for the intended purpose and project as defined on this drawing.