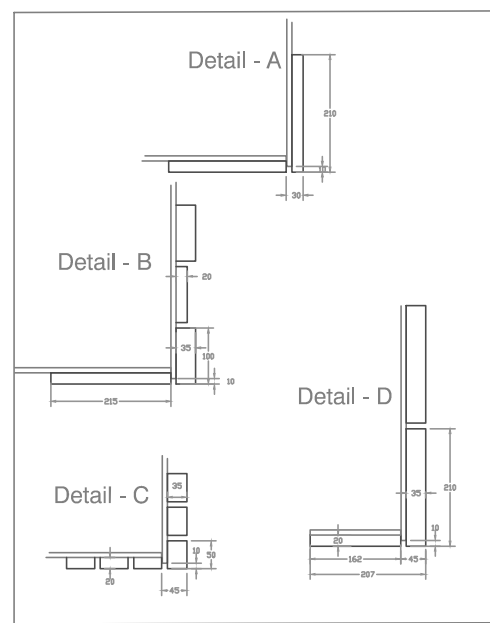
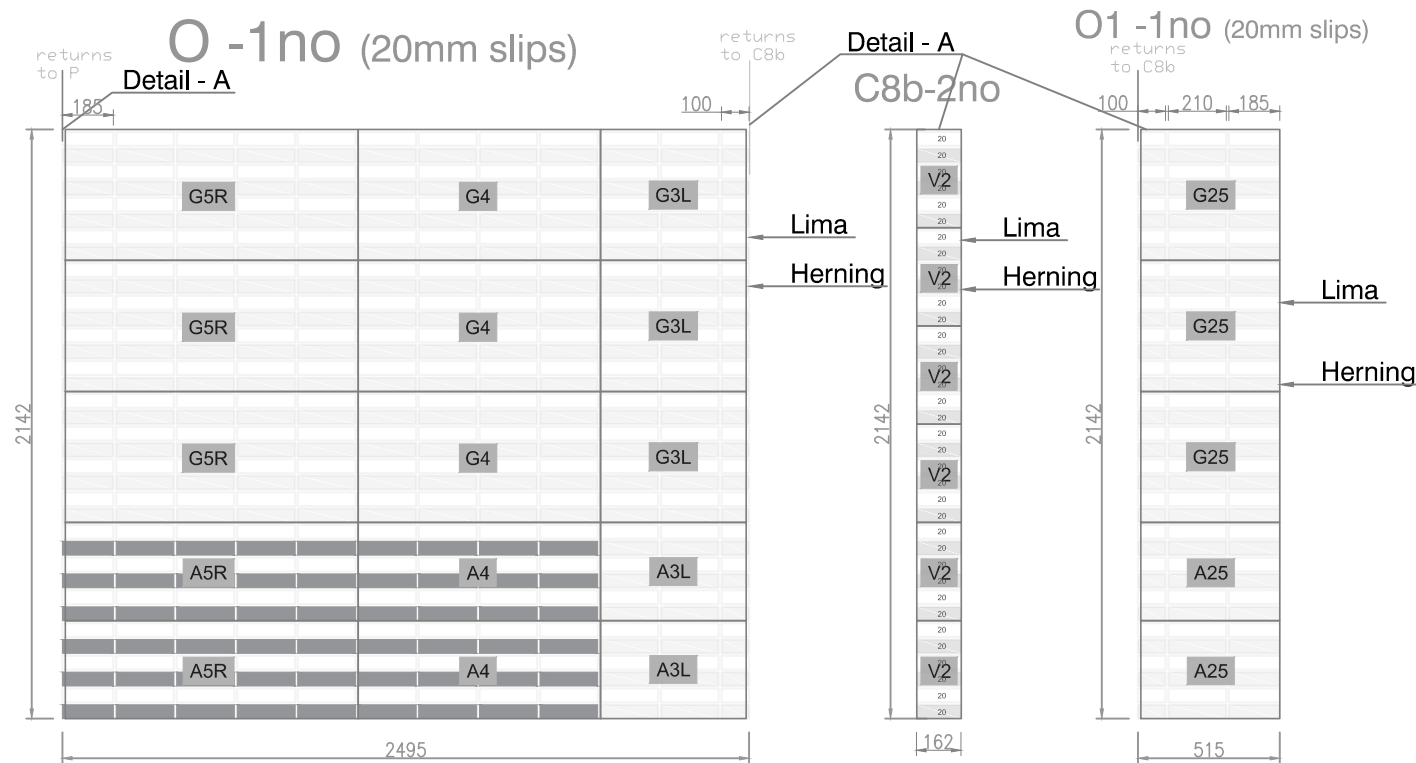
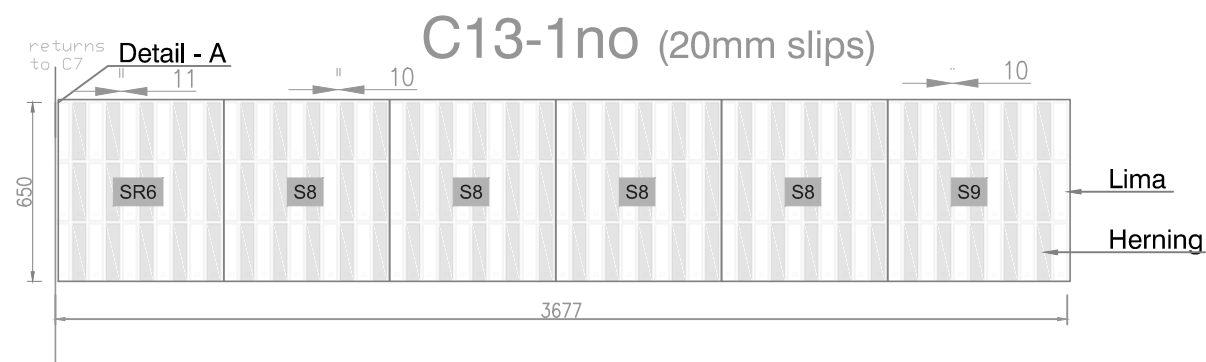
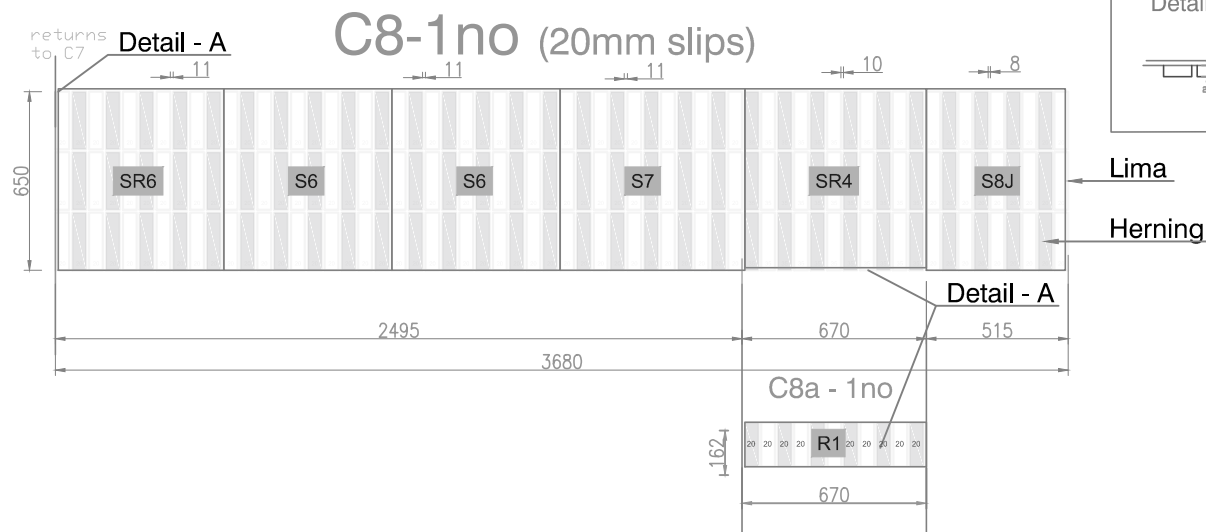


# GL 4-1



DISCLAIMER. FAB-CLADDING LIMITED ACCEPT NO LIABILITY WITH RESPECT TO DRAWING ACCURACY OR QUANTITIES SHOWN. ALL DRAWINGS SHOULD BE APPROVED BY THE PROJECT PROFESSIONALS BEFORE PLACING ANY ORDER. CONTENTS OF THIS DRAWING REMAINS THE PROPERTY OF FAB-CLADDING LIMITED AND NO REPRODUCTION WITHOUT WRITTEN PERMISSION IS ALLOWED.

## NOTES

1. DO NOT SCALE FROM THIS DRAWING

## NOTE

REV	REV DATE	PURPOSE OF REVISION
E	05/02/2018	Updated to comments
D	25/01/2018	Updated to comments
C	11/01/2018	Updated to comments
B	29/11/2017	Updated to comments
A	16/10/2017	Updated to comments

**fab-Cladding**  
LIMITED

[www.fab-cladding.co.uk](http://www.fab-cladding.co.uk)

Client  
**DWMC Ltd**

Project  
**66-68 Hoe St.  
E17 4PG**

Drawing  
Title  
**Panel set out GL 4-1**

Status  
**FOR APPROVAL**

Scale  
As Noted at A3  
DO NOT SCALE

Date  
09.05.2017

Dwg NO  
**10474.0007**  
Rev  
**E**

This drawing is not to be used in whole or part other than for the intended purpose and project as defined on this drawing.